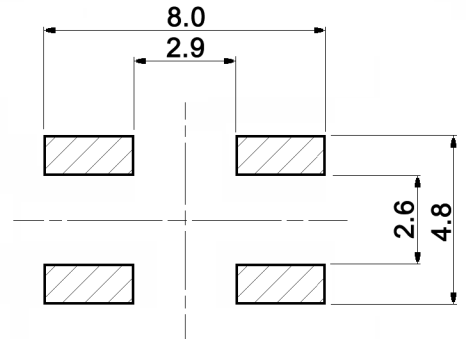
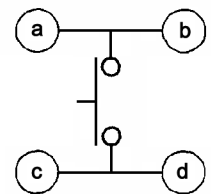


SURFACE MOUNT DIMENSION



CIRCUIT DIAGRAM

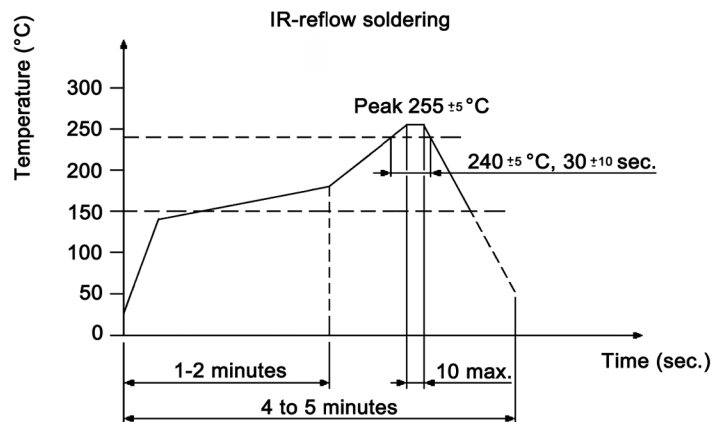


Specifications:

- Contact rating: max. 50mA, max. 42V DC, max. 0.6VA
- Contact resistance: 100mOhm max.
- Insulation resistance: 100MOhm min. at 100V DC for 1 minute
- Dielectric strength: 500V AC (50/60Hz, 2mA) for 1 minute
- Operating temperature: -25°C to +80°C
- Mechanical life: 100 000 cycles
- Operating force: 250 +/-70gf
- Material: Cover: stainless steel, natural
Stem: aluminum, natural
Contact clip: stainless steel, silver plated 0.5µm
Terminal: brass, silver plated 0.5µm
Membrane: polyamide, natural

Soldering conditions:

2 passes max.

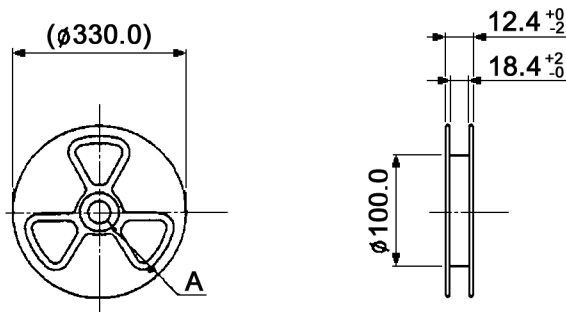


Compliance: RohS III (2015/863/EU)

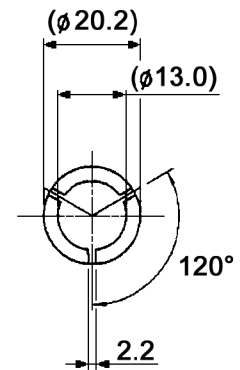
Tolerances: up to 10: ±0.2mm above 10-50: ±0.3mm		Date	Name	<h1>TSS 507</h1>	
		03/09	dr		
Contact rating	10/17	dr	<h1>30 02 64</h1>	Page	
Operating temperature	06/17	dr		knitter-switch	1/2
Sheet review	03/09	dr			
Modifications	Date	Name			

Packaging:

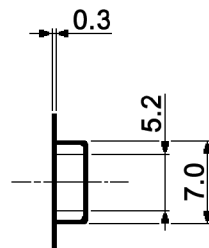
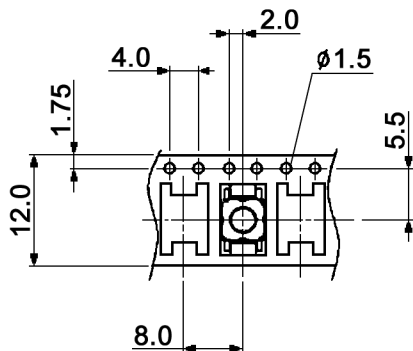
REEL



DETAIL "A"



CARRIER TAPE



COVER TAPE



Packaging unit: 4 000 pcs. / reel
 Compliance: RohS III (2015/863/EU)

Tolerances: up to 10: ±0.2mm above 10-50: ±0.3mm	Date	Name
	03/09	dr
Contact rating	10/17	dr
Operating temperature	06/17	dr
Sheet review	03/09	dr
Modifications	Date	Name

TSS 507

knitter-switch

30 02 64

Page

2/2